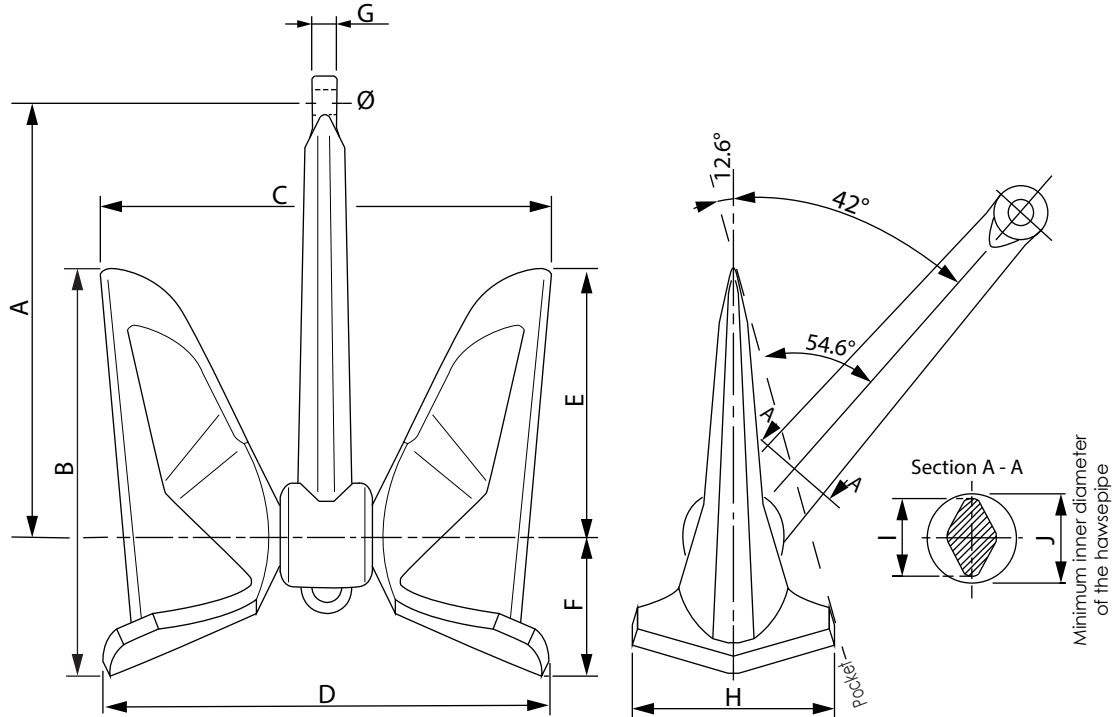


ULTRA Side Pocket Anchor Compact (USAC)

- If choosing the anchor for a new boat, we recommend deciding according to the Equipment Number (EN) requested by the certification body.
- For an approximate sizing, check the "Ultra Anchor Selection Table"



Anchor Code			Anchor Measurements										
Ultra Side Pocket Anchor Compact	min. Nominal Weight:	(max) If necessary, we can increase until the indicated weight.	A	B	C	D	E	F	G	Ø	H	I	J
	kg/lbs	kg/lbs	mm	mm	mm	mm	mm	mm	mm	mm	mm	mm	mm
USAC 8/18	(11/24)		272	241	248	249	164	77	13	15	118	47	52
USAC 12/26	(16/35)		312	276	284	286	188	88	14	17	135	53	59
USAC 16/35	(22/47)		343	304	313	314	207	97	15.4	19	148	59	65
USAC 21/46	(28/63)		376	333	342	344	226	106	17	20	162	64	71
USAC 27/60	(37/81)		409	362	372	374	246	116	18.2	21	177	70	78
USAC 35/77	(47/104)		446	394	406	408	268	126	19	23	193	76	85
USAC 45/100	(61/135)		485	429	441	444	292	137	20	26	209	83	92
USAC 60/132	(81/179)		533	472	486	488	321	151	22	28	231	91	101
USAC 80/176	(108/238)		587	520	535	537	354	166	24.5	30	254	101	111
USAC 100/220	(135/298)		632	560	576	579	381	179	26.5	32	273	108	120
USAC 130/290	(176/392)		690	611	629	632	416	195	28.6	34	298	118	131
USAC 160/350	(216/474)		740	655	674	677	446	209	29	37	320	127	140
USAC 200/440	(271/595)		797	705	726	729	480	225	35	40	344	136	151
USAC 250/550	(338/744)		858	760	782	786	517	243	38	43	371	147	163
USAC 300/660	(406/893)		912	807	831	835	549	258	39	46	394	156	173
USAC 360/800	(487/1082)		969	858	883	887	584	274	43	49	419	166	184
USAC 420/925	(568/1252)		1020	903	929	934	615	288	45	52	441	175	194
USAC 500/1100	(677/1488)		1081	957	985	990	651	306	48	54	467	185	205
USAC 600/1320	(812/1786)		1123	1019	1042	1069	693	325	49.5	58	497	197	218
USAC 720/1585	(974/2145)		1221	1081	1112	1118	736	345	51	62	528	209	232
USAC 850/1870	(1150/2530)		1291	1142	1176	1182	777	365	54	65	558	221	245
USAC 1000/2200	(1353/2977)		1362	1206	1241	1247	821	385	57	69	589	233	259
USAC 1150/2530	(1556/3423)		1427	1263	1300	1307	860	404	60	72	617	244	271
USAC 1300/2860	(1759/3870)		1487	1316	1354	1361	896	420	62	75	643	255	282
USAC 1500/3300	(2030/4465)		1560	1380	1421	1428	939	441	65	79	674	267	296

- For each anchor size, it's possible to achieve any weight between the MIN and MAX stated on the table
- For a smaller but heavier anchor, please refer to the measurement table for the "Ultra Side Pocket Anchor Standard (USAS)"
- We can produce the anchor "Fully Balanced" or "Unbalanced" according to the customer request
- We reserve the right to make changes to this table