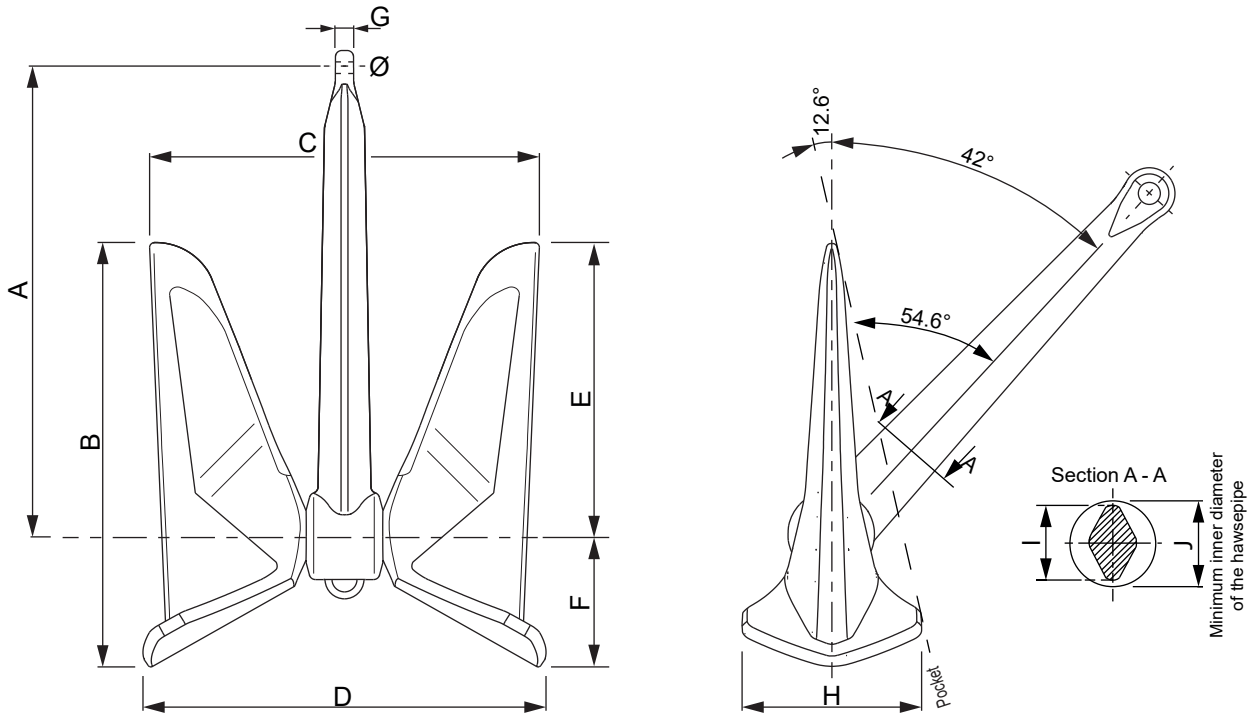


ULTRA Side Pocket Anchor Standard (USAS)

- If choosing the anchor for a new boat, we recommend deciding according to the Equipment Number (EN) requested by the certification body.
- For an approximate sizing, check the "Ultra Anchor Selection Table"



Anchor Code			Anchor Measurements										
Ultra Side Pocket Anchor Standard	min. Nominal Weight:	(max) If necessary, we can increase until the indicated weight	A	B	C	D	E	F	G	Ø	H	I	J
	kg/lbs	kg/lbs	mm	mm	mm	mm	mm	mm	mm	mm	mm	mm	mm
USAS	21/46	(24/53)	453	408	376	380	279	129	17	20	173	66	74
USAS	27/60	(31/68)	492	443	409	414	303	140	18.2	21	188	72	81
USAS	35/77	(40/89)	537	483	446	451	331	152	19	23	205	78	88
USAS	45/100	(52/115)	584	525	485	490	360	165	20	26	223	85	96
USAS	60/132	(69/152)	642	578	534	540	396	182	22	28	246	94	105
USAS	80/176	(92/202)	707	637	587	594	436	201	24.5	30	270	103	116
USAS	100/220	(115/254)	761	686	633	640	470	216	26.5	32	291	111	125
USAS	130/290	(150/334)	831	748	691	698	512	236	28.6	34	318	121	136
USAS	160/350	(184/403)	891	802	740	748	549	253	30	37	341	130	146
USAS	200/440	(230/506)	959	864	797	806	592	272	35	40	367	140	157
USAS	250/550	(288/633)	1033	931	859	869	637	293	38	43	395	151	170
USAS	300/660	(345/759)	1098	989	913	923	677	312	39	46	420	161	180
USAS	360/800	(414/920)	1167	1051	970	981	720	331	43	49	447	171	192
USAS	420/925	(483/1064)	1229	1106	1021	1033	758	349	45	52	470	180	202
USAS	500/1100	(575/1265)	1302	1173	1082	1094	803	369	48	54	498	190	214
USAS	600/1320	(690/1518)	1384	1246	1150	1163	853	392	49.5	58	529	202	227
USAS	720/1585	(828/1823)	1470	1324	1222	1236	907	417	51	62	563	215	241
USAS	850/1870	(978/2151)	1554	1399	1291	1306	958	441	54	65	595	227	255
USAS	1000/2200	(1150/2530)	1641	1477	1363	1379	1012	465	57	69	628	240	269
USAS	1150/2530	(1323/2910)	1719	1548	1428	1444	1060	488	60	72	658	251	282
USAS	1300/2860	(1495/3289)	1790	1612	1488	1505	1104	508	62	75	685	262	294
USAS	1500/3300	(1725/3795)	1878	1691	1561	1578	1158	533	65	79	719	275	308

- For each anchor size, it's possible to achieve any weight between the MIN and MAX stated on the table
- For a smaller but heavier anchor, please refer to the measurement table for the "Ultra Side Pocket Anchor Compact (USAC)"
- We can produce the anchor "Fully Balanced" or "Unbalanced" according to the customer request
- We reserve the right to make changes to this table



DATE:
14.05.2025

Prepared by: Pietro Lamberti
Design by: Nejat Övütmen